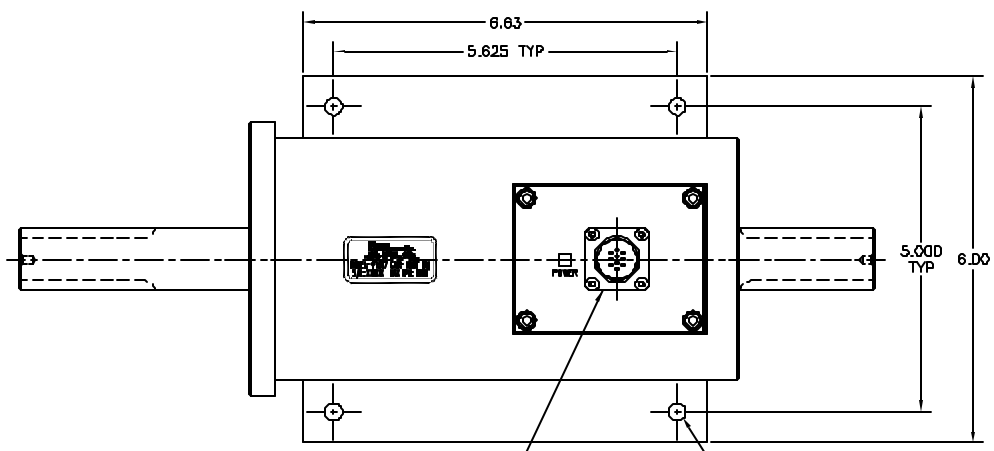
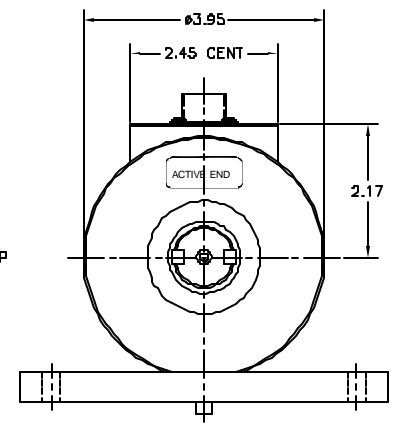
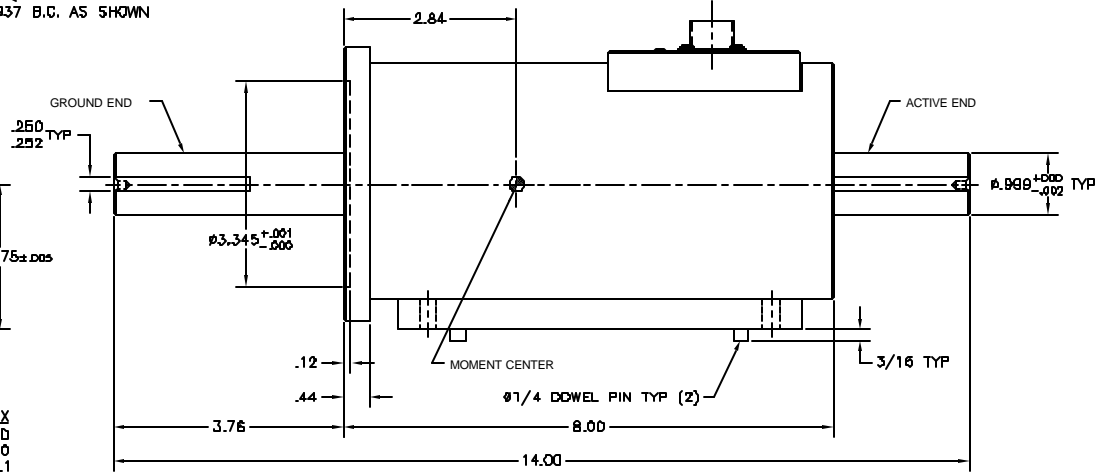
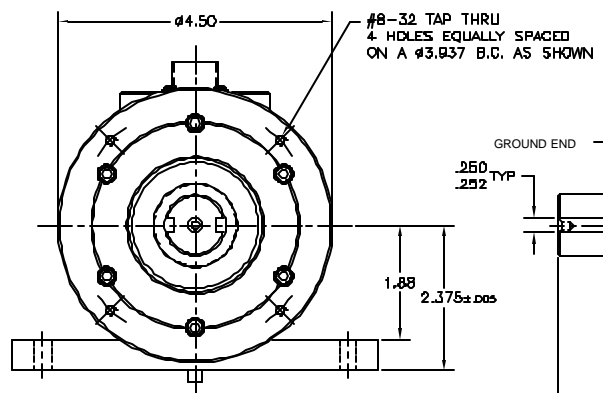


REV	DESCRIPTION	BY	DATE	CHK	ENG	REL DATE
-	REL FOR PRODUCTION	-	-	-	-	12-18-07



PT02E-12-10P CONNECTOR
MATING CONNECTOR SUPPLIED

#8/32 THRU HOLES
4 PLACES-AS SHOWN



SPECIFICATIONS MODEL: D1367-XXX-G000X

CAPACITY (IN. LBS.) F.S. _____ CHARTED

OUTPUT @ F.S. (V NOM.) _____ ±5 OR 10

HYSTERESIS (%F.S.) _____ .1

NON-LINEARITY (%F.S.) _____ .1

COMPENSATED TEMP RANGE (°F) _____ 70-170

TEMP. EFFECT ON ZERO (%F.S./°F) _____ .002

OVERLOAD CAPACITY (%F.S.) _____ 150

MAX RPM _____ 8,000

MAX SIDE LOAD (LBS) _____ 9,000

MAX OVERTURNING MOMENT (IN LBS) _____ 18,000

MAX AXIAL LOAD (LBS) _____ 5,300

MAX TEMP RANGE _____ -40° TO +180°F

POWER INPUT (REGULATED) _____ 12-16VDC

POWER INPUT (ABSOLUTE MIN/MAX) _____ 11-15.75 VDC

CURRENT DRAW (MAX) _____ 350mA

NOTE: MAX LOADS APPLIED TO 'GROUND END' ONLY

01367-023	2,000 IN. LBS.
01367-013	1,000 IN. LBS.
MODEL NO.	CAPACITY

NON-WESTERN REGIONAL

TORQUE	PIN	CODE	FUNCTION
	A	+12	+15V
	B		+ SIG.
	C		- SIG. (COM)
	D		GND
	E		N/C
	F		N/C
	H		N/C
	J		GND
	K		SIG.

AUTO ID/SHUNT

POLARITY: CLOCKWISE UPSCALE
ASSEMBLY DRAWING REF: 20129D0-*
*-INDICATES CURRENT REV

INSTALLATION		CHECKED BY
MODEL: 01367-XXX-G000X	FINISH	SCALE FULL
DATE 12-6-07	DRAWN BY GMC	PREL. ENS. -
BY DATE	D.E. REVIEW	
DATE		
DRAWING NUMBER		

UNLESS OTHERWISE SPECIFIED DIM'S ARE IN INCHES
X.X ±.03 X.XX ±.01 XXXX ±.005 ANG. ±.01

GROUP Development Inc. 300 W SILVER BELL RD
GRAND, MI 48864

DRAWING NUMBER 20130D0-0