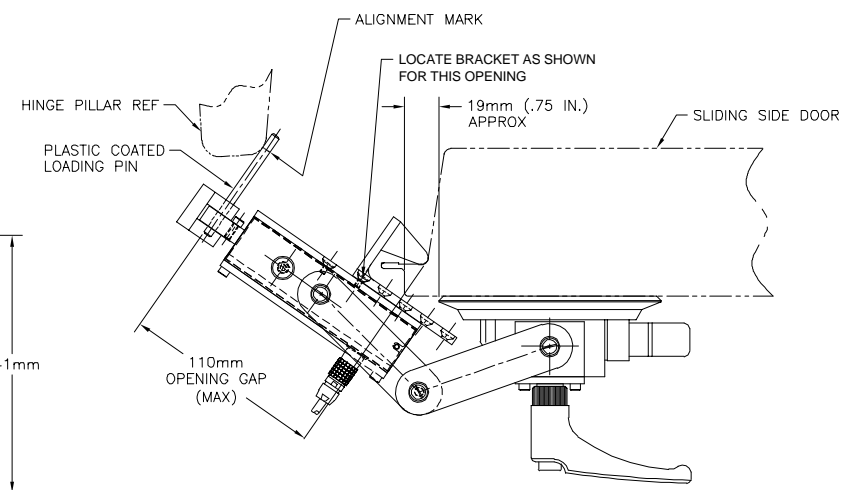
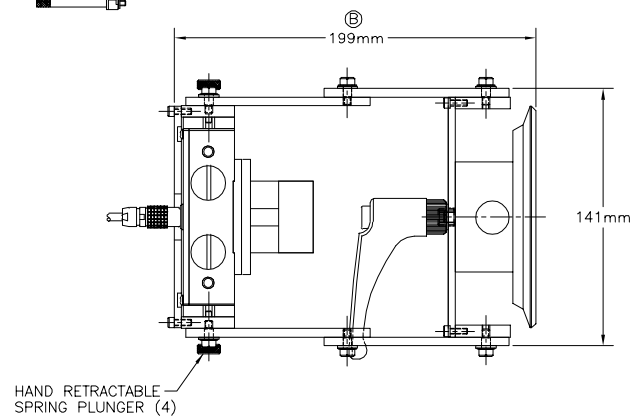
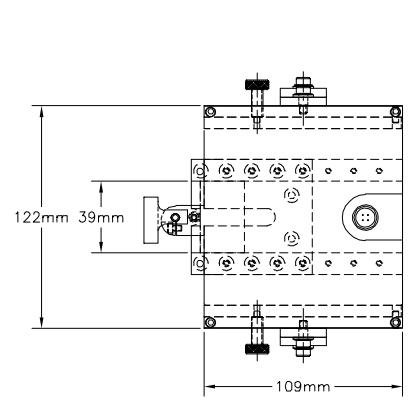
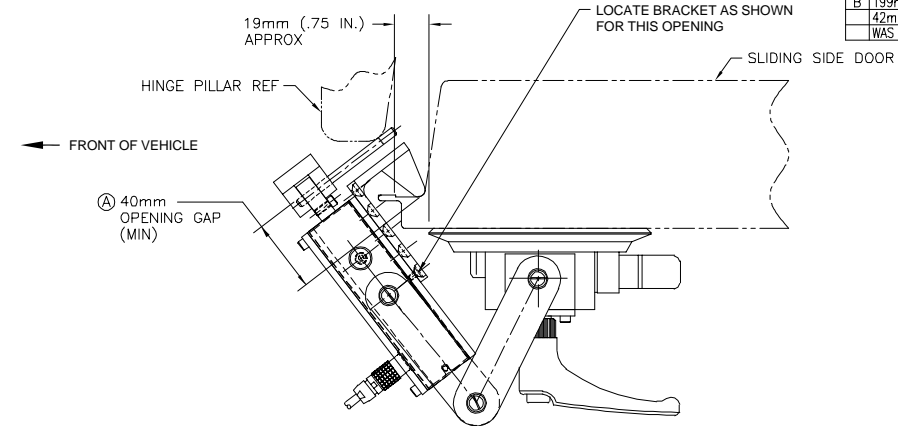
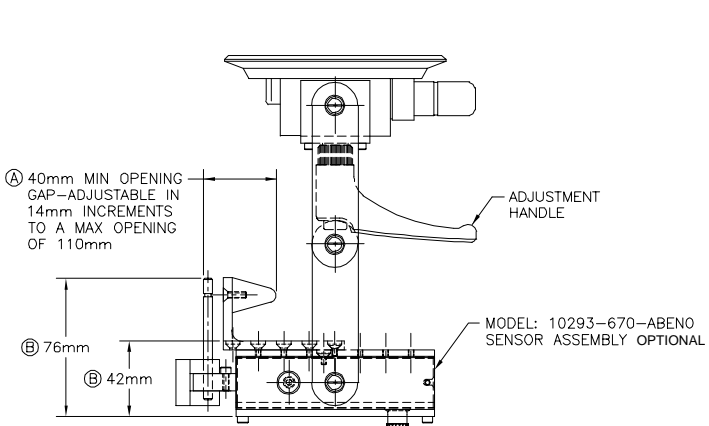


REV	DESCRIPTION	BY	DATE	CHK	ENG	REL DATE
-	REL. FOR PRODUCTION WAS	-	-	-	-	8-4-08
A	40mm GAP OPENING WAS 34mm; 14mm INCREMENTS WERE 19mm	GMC	8-27-08	-	-	8-27-08
B	199mm WAS 190mm; 42mm WAS 37mm; 76mm WAS 72mm	GMC	9-11-08	DS	DS	9-12-08



SLIDING DOOR CLOSING

ASSEMBLY DWG REF: 20278D0-*
*-INDICATES CURRENT REV

FINISH		SCALE	3/4	CHECKED BY	-
MATRL		DATE		PROJ. ENG.	-
D.E. REVIEW		DATE		DRAWN BY	GMC
DRAWING NUMBER		DATE		DATE	7-11-08
DRAWING NUMBER		DATE		DATE	7-11-08
DRAWING NUMBER		DATE		DATE	7-11-08

PIN	CODE	FUNCTION
1	+ EXC.	
2	+ SIG.	
3	- SIG.	
4	- EXC.	

UNLESS OTHERWISE SPECIFIED DIM'S ARE IN INCHES
X.X ±.03 X.XX ±.01 X.XXX ±.005 ANG. ±.5

1050 W SILVER BELL RD
ORION, MI 48359

20279D0-B